

T15 ELECTRICAL ACTUATOR

FEATURES

The ultra-compact T15 electric actuator is intended for motorising under on/off operation the ¼ turn valves with a torque of at most 10 Nm. It is supplied via 2 wires and return to position using a capacitor. With a compact construction and plastic housing, it is especially well suited for motorising small diameter ball valves. IP67 leak-tightness: for indoor use and possibly outdoors under shelter.

AVAILABLE MODELS

Supply voltages: 230V AC and 12-24V AC-DC

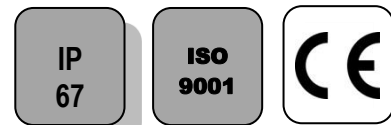
LIMITS OF USE

IP Code	IP 67
Ambient temperature	-15°C / +50°C
Service factor	S4 – 30%



MECHANICAL FEATURES

Gear box	treated steel pinions
Torque	15 Nm
Angle of rotation	90° +/- 2°
Manoeuvring time	12 s
ISO 5211:	F03 / F05 – star 11
Declutching	Without
Override control	Using a hex key
Weight	1.000 kg



ELECTRICAL FEATURES

Power	230 V AC: 30 W	24 V AC: 20 W
Overheating	Thermal protection	
Limit switches	2 adjustable switches	
Auxiliary switches	2 dry contacts	
Anti-condensation	Without	
Electrical connection	PE M12 + 1.5 m cable	

Information given as an indication only, and subject to possible modifications

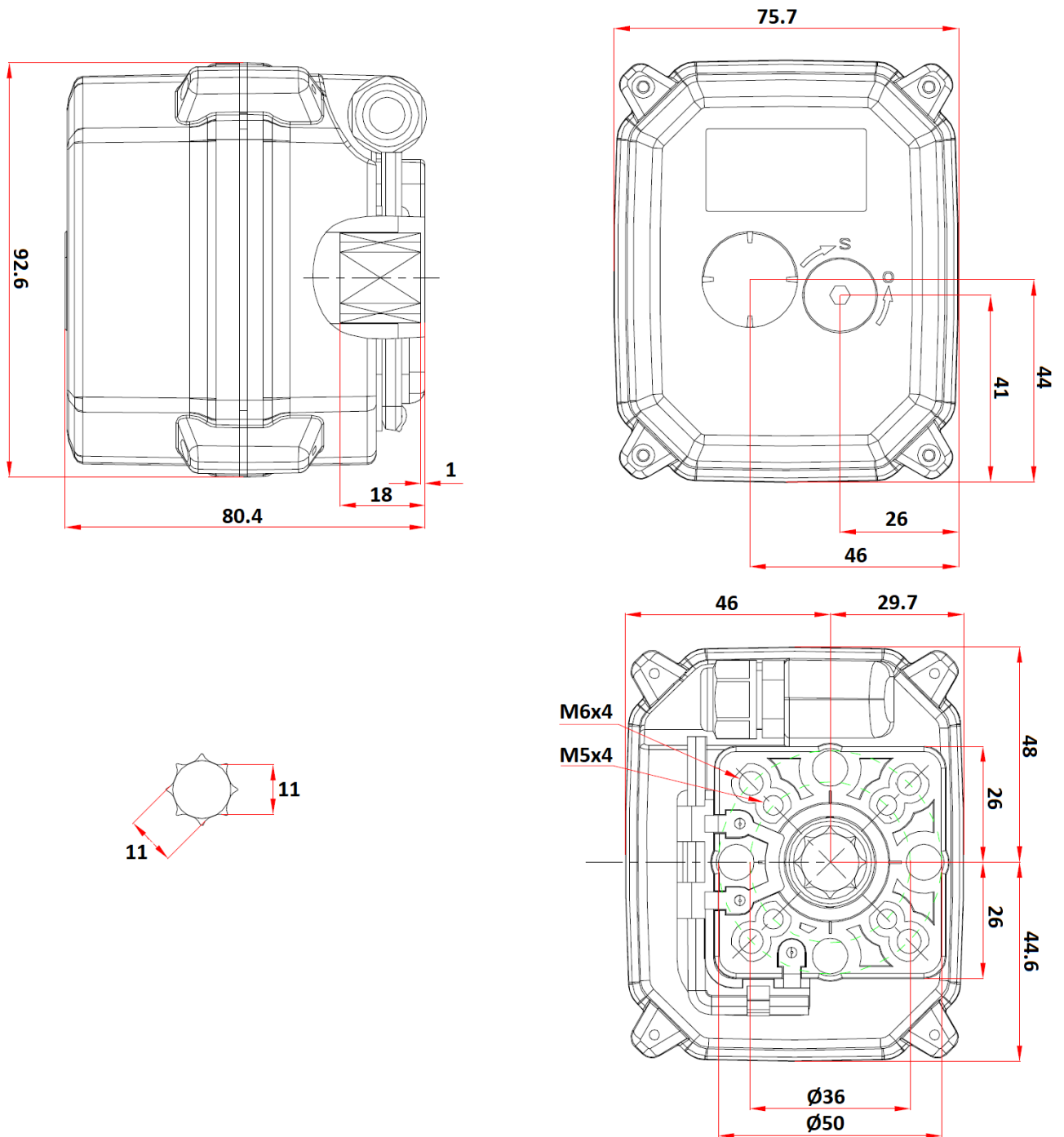
	SECTORIEL S.A. 45 rue du Ruisseau 38290 SAINT QUENTIN-FALLAVIER – FRANCE Telephone: +33 4 74 94 90 70 – Fax: +33 4 74 94 13 95 www.sectoriel.fr / Email : sectoriel@sectoriel.fr	Pages	1/3
		Ref.	FT2250 ENG
		Rev.	01
		Date	10/2019

T15 ELECTRICAL ACTUATOR

CONSTRUCTION

Housing	PA Plastic	Limit switch A	Steel
Gear box	Treated steel	Limit switch B	Steel
ISO mounting pad	Steel	Condenser	
Limit cams	Steel	Position indicator	

DIMENSIONS (mm)



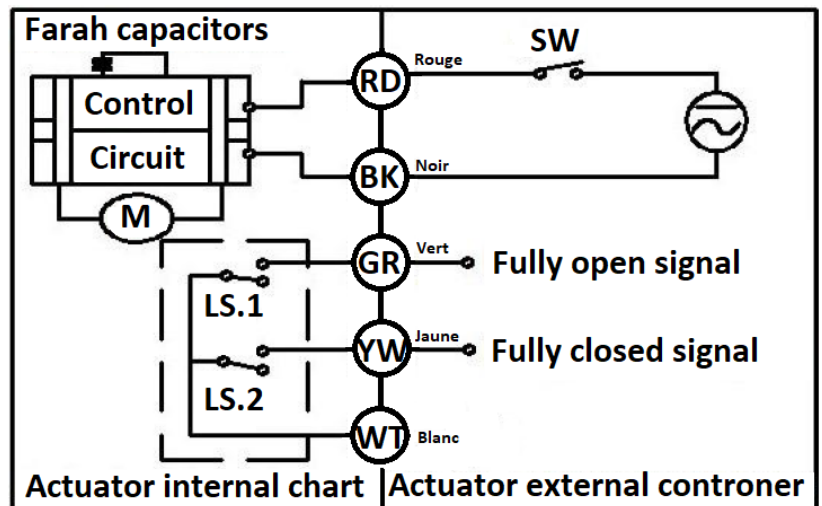
Information given as an indication only, and subject to possible modifications

	SECTORIEL S.A. 45 rue du Ruisseau 38290 SAINT QUENTIN-FALLAVIER – FRANCE Telephone: +33 4 74 94 90 70 – Fax: +33 4 74 94 13 95 www.sectoriel.fr / Email : sectoriel@sectoriel.fr	Pages	2/3
		Ref.	FT2250 ENG
		Rev.	01
		Date	10/2019

T15 ELECTRICAL ACTUATOR

WIRING DIAGRAM

	Wire	Wiring
RD	red	Common
BK	black	Phase
GR	Green	Auxiliary switch "O"
YW	yellow	Auxiliary switch "F"
WT	White	Common contact



SWITCH SETTING

The cams are attached to the drive stem

2. Clockwise rotation = valve closing. The micro-switch stops the actuator.
3. Anti-clockwise rotation = valve opening. The micro-switch stops the actuator.

Information given as an indication only, and subject to possible modifications



SECTORIEL S.A.
 45 rue du Ruisseau
 38290 SAINT QUENTIN-FALLAVIER – FRANCE
 Telephone: +33 4 74 94 90 70 – Fax: +33 4 74 94 13 95
www.sectoriel.fr / Email : sectoriel@sectoriel.fr

Pages	3/3
Ref.	FT2250 ENG
Rev.	01
Date	10/2019